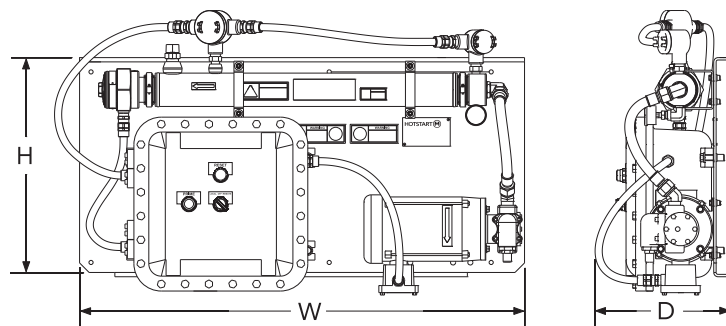
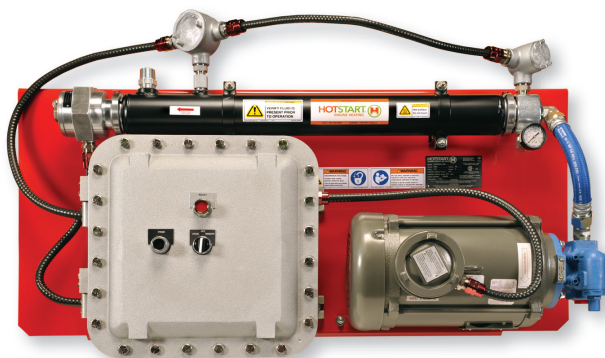


## OLE Oil Heating System

The HOTSTART OLE is a complete oil heating system for North American oil and gas applications. The OLE heats oil capacities up to 1500 gal (6000L) and is designed to maintain oil temperatures above 100°F (38°C) in ambient down to -40°F (-40°C).

The packaged heating system consists of a heater, pump/motor, high limit temperature controller, adjustable temperature control and control box with manual and automatic operation. The OLE provides uniform heating to the oil throughout the engine oil sump and external piping, enhancing compressor availability and decreasing wear and tear from cold startups.



## APPLICATION

Hazardous Location applications, such as gas compression and off shore.

System Area Classification: Class 1 Div. 1&2 Group D

## SPECIFICATIONS

- Heating Fluid: Oil
- Heat Power: 2.5, 6, 9, 12 kW
- Voltage Range: 240, 440-480, 575-600V
- Temperature Controller: Adjustable 32°-212°F (0°-100°C)
- Temperature Setting: 105°F (40°C)
- High-Limit Temperature Control: Adj. 32°-212°F (0°-100°C)
- High-Limit Temperature Setting: 195°F (90°C)
- Fluid Capacity: 1 gal (3.8L)
- Pump Power: 1-3 Hp (0.75-2.25 kW)
- Flow: 2-30 GPM (0.45-6.8 m<sup>3</sup>/hr)
- Maximum Pressure: 100 psi (690 kPa)
- Pressure Relief Valve Setting: 75 psi (520 kPa)
- Inlet Plumbing: Determined by flow/discharge
- Outlet Plumbing: 1.0" NPT
- Main Control Box Ingress Protection: Type 4
- Motor Ingress Protection: XPFC
- Temperature Class: T2C
- Altitude Rating (Motor): 3,300 ft (1,000m)

## FEATURES

- Certification: CSA
- Switch: Local/Off/Remote
- Control Signal: 24 VDC
- Compact design
- Fail-safe operation

## DIMENSIONS & WEIGHT

Height (H)	Width (W)	Depth (D)	Weight
23.0"	49.0"	14.2"	300 lbs.
584mm	1245mm	361mm	136 kg